


Part number

# CX 02 JM



## Brief description:

male insert, housing for RJ45 connectors, (8 poles (10A max - 250V/4kV/3)), 4kV, 3, plug inserts for 2 RJ45 male connectors and for 8 10A (CDM) male contacts, 3 modules, modular units series MIXO

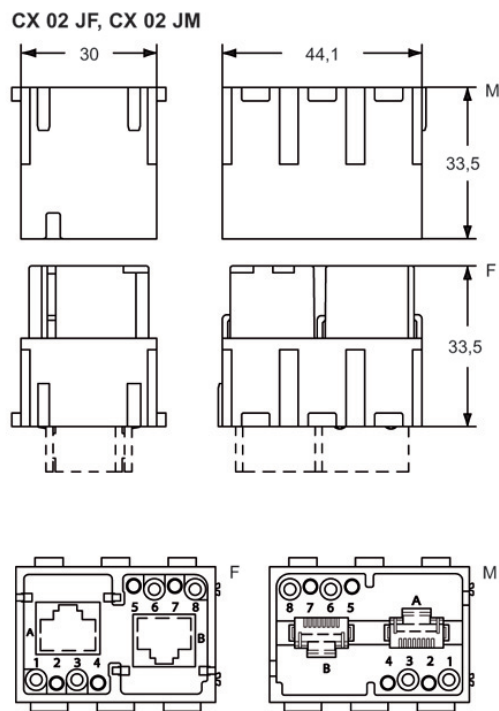
Product description		Approvals / Standards	
<b>Model</b>	male insert	<b>Reference standard</b>	EN 61984 (2001-11)
<b>Version</b>	housing for RJ45 connectors	<b>Quality mark</b>	 EAC
<b>Product type</b>	plug inserts for 2 RJ45 male connectors and for 8 10A (CDM) male contacts	<b>Conformity</b>	CQC, CE
<b>Family</b>	MIXO series, customizable inserts	General ordering information	
<b>Size</b>	3 modules	<b>EAN13 code</b>	8015747166034
<b>Auxiliary poles</b>	8 poles (10A max - 250V/4kV/3)	<b>Tariff number</b>	85369095
Technical data		Packaging Information	
<b>Rated impulse withstand voltage</b>	4kV	<b>Sub-packaging length</b>	195,00 mm
<b>Pollution degree</b>	3	<b>Sub-packaging height</b>	40,00 mm
<b>Operating temperature range (min, max)</b>	-40°C ... +120°C	<b>Sub-packaging width</b>	60,00 mm
<b>IP degree of protection</b>	IP20 without enclosure; IP65/IP66/IP67/IP68 with enclosure	<b>Sub-packaging weight</b>	0,14 kg
Further technical details		<b>Sub-packaging volume</b>	0,47 dm <sup>3</sup>
<b>Characteristics according to EN 61984</b>	10A 250V 4kV 3	<b>Sub-packaging description</b>	Carton
<b>Insulation resistance</b>	≥ 10 GΩ	<b>Sub-packaging quantity</b>	8 Pcs
<b>Rated voltage according to UL/CSA</b>	600V	<b>Sub-packaging EAN barcode</b>	8015747167543
<b>UL 94 flammability rating</b>	V-0		
<b>Weight</b>	18,00 g		

Part number

# CX 02 JM



Catalogue drawings



## Notes

CX 02 J inserts:

- characteristics according to EN 61984:  
8 Auxiliary contacts:( 10A 250V 4kV 3)

the modular inserts must be installed in suitable frames which in turn are installed in traditional housings or COB panel support